

# PAX-124 (F Model)

## 23.8" Clinical Display



### Features

- Wide 23.8" screen with Full HD 1920x1080 resolution
- Fanless design with upgrade IP54-rated protection for superior hygiene and infection control
- With 10 point multi-touch control function
- Factory calibration included for GAMMA 2.2
- Compliant with UL60601-1, IEC/EN 60601-1, IEC/EN 60601-1-2(EMC) standards for medical devices



### Introduction

PAX-124 fixed model is a versatile touch monitor with IP54 environmental protection and medical safety approval. With touchscreen and cover glass options.

### Specifications

LCD	Screen Size	23.8"
	Resolution	1920 x 1080
	Aspect Ratio	0.672916667
	Pixel Pitch	0.27 x0.27mm
	Viewing Angle	R/L 178(Type.), U/D 178(Type.)
	Contrast Ratio	3000:1
	Native Luminance (Typ)	250nits
	Color Depth	8-bit, 16.7M
	Display Mode	VA Mode, Normally Black
	Response Time	16 msec (Typ, G/G)
Touch Screen	10-point multi touch P-CAP (clear glass); Option without Touch	
Input	DP 1.2 input	1 x DP Jack DisplayPort 1.2, 1920 x 1080 @ 60 Hz max.
	HDMI 1.4 Input	HDMI Jack x 1 (Type A) Digital RGB: TMDS, 1920 x 1080 @ 60 Hz max.
	DVI Input	DVI Jack x 1 (DVI) Digital RGB: TMDS, 1920 x 1080 @ 60 Hz max.
	USB Up	USB-B Jack x 1
	Audio Input	Audio Jack x 1
Output	HDMI 1.4 output	HDMI Jack x 1 (Type A) Digital RGB: TMDS, 1920 x 1080 @ 60 Hz max.
	Audio Output	Audio Jack x 1
Audio	Speaker	2Watt x 2
Power	Rating	DC 12V/5.42A max
IP Rating	Front Panel	IP65
	System	IP54
Button function	Keypad or DDC/CI (Tool)**	Menu/Exit/Up/Down/PWR
Option	GAMMA (2.2)	Factory calibration included, user re-calibration supported
	DICOM Part 14 (AAPM)	Optional for factory calibration (choose either GAMMA or DICOM)
	Touch Disable	Software mode adjustment
Certification	EMC & Safety	CCC,CE, FCC Class B, UL60601-1, IEC/EN 60601-1, IEC/EN 60601-1-2(EMC)
Physical Characteristics	Dimensions (W x H x D)	583 x 387 x 63 mm/22.95 x 15.2 x 2.48 in
	Weight	6.98 kg/15.32 lb
	VESA Mount	100 x 100; 75 x 75 mm
Environment	Operating Temperature	0 ~ 40 °C/32 ~ 104 °F
	Storage Temperature	-20 ~ 60 °C/-4 ~ 140 °F
Warranty	System	2 years

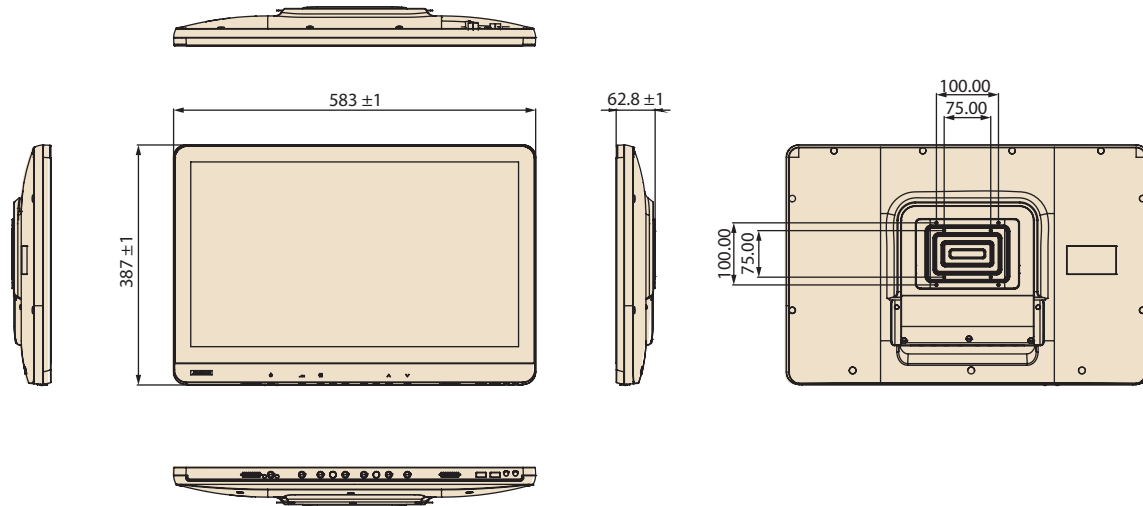
\*Optional input,SFP+Module x2 (AD Board to HDMI input,AVAS SFP to HDMI output)

If you have requirements of this specification, you can ask Advantech sales to buy AVAS product

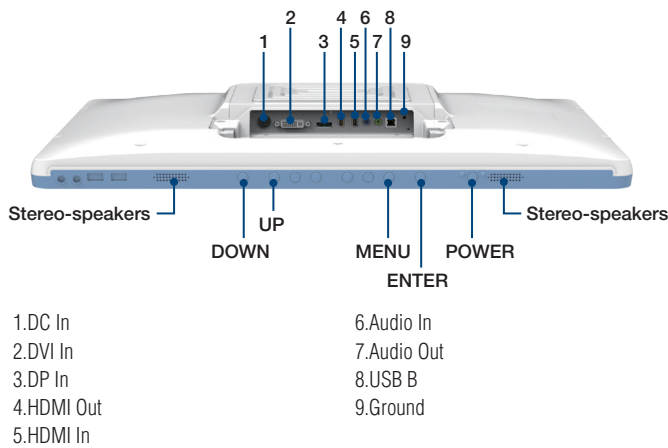
\*\* This tool need to be installed into user's PC. Please download the file from link: [https://www.advantech.com/search?q=PAX-124%20\(M%20Model\)&st=support](https://www.advantech.com/search?q=PAX-124%20(M%20Model)&st=support)

## Dimensions

Unit: mm



## I/O Ports



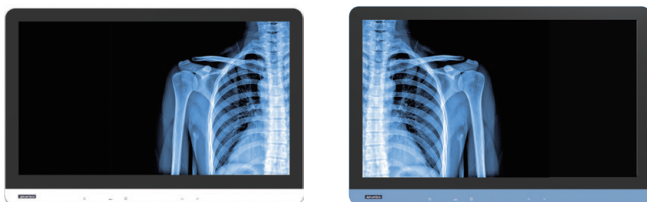
## Ordering Information

Part Number	Touch Panel/Glass	Colour/Color
PAX-124B-C2A-LFD	Clear Glass	Blue
PAX-124B-C2A-LFC	Touchscreen	Blue
PAX-124W-C2A-LFD	Clear Glass	White
PAX-124W-C2A-LFC	Touchscreen	White

## Power Cord List

Part No.	Description
1700019146	Power Cord CCC 3P 2.5A 250V 183cm(CCC)
170203183C-01	Power Cord EU 3P 2.5A 250V 183cm(CE)
1700001524	Power Cord UL 3P 10A 125V 183cm(UL)
170203180A	Power Cord BSI 3P 2.5A 250V 183cm(UK)
1700008921	Power Cord PSE 3P 7A 125V 183cm(Japan)
1700025113-11	Power Cord ISI 3P 2.5A 250V 180cm(India)
1700021375-01	Power Cord BSMI 3P 2.5A 125V 250cm (IEC60320-C5)(BSMI)
1700018553	Power Cord SAA 3P 2.5A 250V 183cm(Australian)

## High-precision & Quality Imaging for DICOM Compliance



## IP54 Enclosures



# PAX-124 (M Model)

## 23.8" Multimodal Clinical Display



### Features

- Wide 23.8" screen with Full HD 1920x1080 resolution
- Fanless design with optional upgrade IP54-rated protection for superior hygiene and infection control
- Multimodal design for easy upgrades and maintenance
- With 10 point multi-touch control function



### Introduction

PAX-124 multimodal model is a versatile touch monitor with optional IP54 environmental protection. With touchscreen and cover glass options. Modularized design enables one step to upgrade to all-in-one computer with easy maintenance feature as well.

### Specifications

LCD	Screen Size	23.8"
	Resolution	1920 x 1080
	Aspect Ratio	0.672916667
	Pixel Pitch	0.27 x 0.27mm
	Viewing Angle	R/L 178(Type.), U/D 178(Type.)
	Contrast Ratio	3000:1
	Native Luminance (Typ)	250nits
	Color Depth	8-bit, 16.7M
	Display Mode	VA Mode, Normally Black
	Response Time	16 msec (Typ, G/G)
	Touch Screen	10-point multi touch P-CAP (clear glass); Option without Touch
Input	DP 1.2 input	1 x DP Jack DisplayPort 1.2, 1920 x 1080 @ 60 Hz max.
	HDMI 1.4 Input	HDMI Jack x 1 (Type A) Digital RGB: TMDS, 1920 x 1080 @ 60 Hz max.
	DVI Input	DVI Jack x 1 (DVI) Digital RGB: TMDS, 1920 x 1080 @ 60 Hz max.
	USB Up	USB-B Jack x 1
	Audio Input	Audio Jack x 1
Output	HDMI 1.4 output	HDMI Jack x 1 (Type A) Digital RGB: TMDS, 1920 x 1080 @ 60 Hz max.
	Audio Output	Audio Jack x 1
Audio	Speaker	2Watt x 2
Power	Rating	DC 12V/5A max
IP Rating	Front Panel	IP65
	System	IPX1, optional for IP54
Button function	DDC/CI (Tool)**	Menu/Exit/Up/Down
Option	DICOM Part 14(AAPM)	Yes, support
	Touch Disable	Software mode adjustment
Certification	EMC & Safety	CCC,CE, FCC Class B
Physical Characteristics	Dimensions (W x H x D)	583 x 387 x 63 mm/22.95 x 15.2 x 2.48 in
	Weight	6.98 kg/15.32 lb
	VESA Mount	100 x 100; 75 x 75 mm
Environment	Operating Temperature	0-50°C/32-122°F (Humidity 5%-95%)
	Storage Temperature	-20 ~ 60 °C/-4 ~ 140 °F
Warranty	System	2 years

\*Optional input,SFP+Module x2 (AD Board to HDMI input,AVAS SFP to HDMI output)

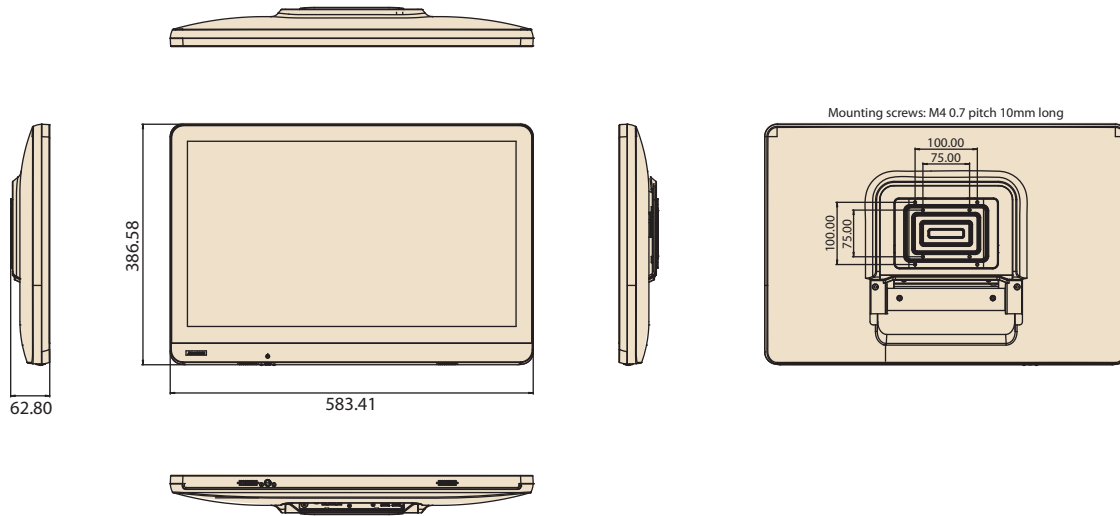
If you have requirements of this specification, you can ask Advantech sales to buy AVAS product

\*\* This tool need to be installed into user's PC, please download from link: [https://www.advantech.com/search/?q=PAX-124%20\(M%20Model\)&st=support](https://www.advantech.com/search/?q=PAX-124%20(M%20Model)&st=support)

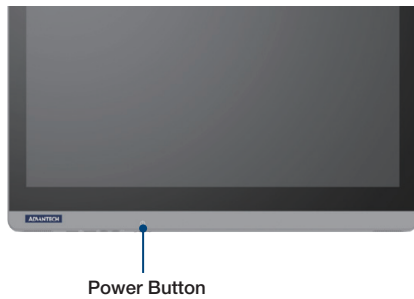
# PAX-124 (M Model)

## Dimensions

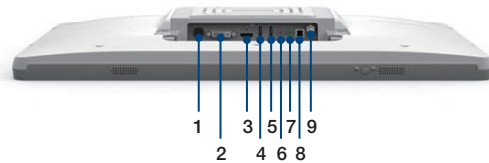
Unit: mm



## Front Function Keys



## I/O Ports



- 1. DC In
- 2. DVI In
- 3. DP In
- 4. HDMI Out
- 5. HDMI In
- 6. Audio In
- 7. Audio Out
- 8. USB B
- 9. Ground Pin

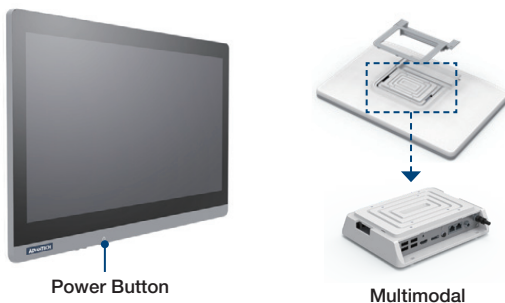
## Ordering Information

Part number	Adapter	Touch Panel & Touch Cable
PAX-124G-C2A-LMC	Yes	Yes
PAX-124G-C2A-LMD	Yes	No

## Multimodal



## KTB-822 Multimodal SKU



## Power Cord List

Part No.	Description
96CB-POWER-B-1.8MA	Power Cord (China), 3P 1.8M, BK(CCC)
17AP164900518011	Power Cord CEE 7/16+C13 L1.8M (CE)
1700013977	Power Cord 10A 250V 3P 180/90 CCC 200cm (CCC)
1702002600	Power Cord 3P UL/CSA(USA) 125V 10A 1.83M 180D(USA)
1700020098	Power Cord 3P 10A 250V 183CM (Australian)
1702002605	Power Cord 2P FRANCE 10A/16A 220V 1.83M 90D (EU)
1700001714	Power Cord BSMI 3P 7A 125V 18AWG 180CM (BSMI)
1700000237	Power Cord 3P PSE 12A 125V 1.83M (Japan)

# PAX-324

## 24" FHD Surgical Monitor



### Features

- True Flat Design with AR Filter
- High Brightness and High Contrast Ratio
- FHD Resolution (1920 x 1200)
- HDMI 2.0, DP 1.2, DVI, RGB Support Up to 1920 x 1200 @ 60 Hz
- SDI Support Up to 1920 x 1080 @ 60Hz
- Multi-Standard Video System Supported: NTSC, PAL, SECAM
- Video Enhancement features including:
  - 14-bit LUT processing
  - DICOM Part 14 GSDF Compliant
  - DICOM, Clear, Blue modes support
- Optional upgrade to IP-based monitor with AVAS
- Variable Gamma and DICOM (Color Temp) mode
- Variable Multi-Picture display mode

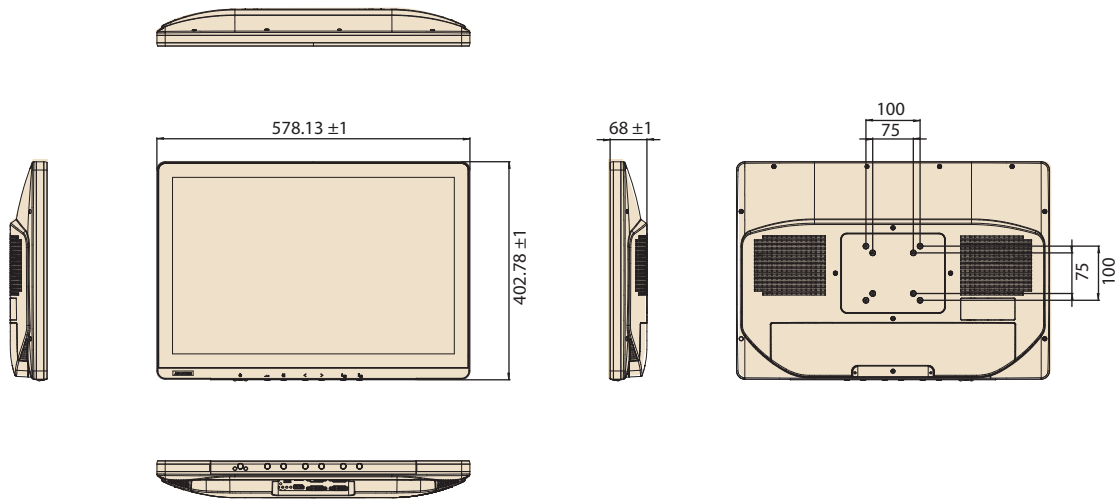


### Specifications

		PAX-324-C2B-NAS PAX-324-C2B-NAR PAX-324-C2F-NAS	PAX-324-C2B-HAS PAX-324-C2B-HAR PAX-324-C2F-HAS
LCD	Screen Size	24.07" (518.4 x 324.0 mm)	
	Resolution	1920 x 1200	
	Aspect Ratio	16:10	
	Pixel Pitch	0.270 x 0.270 mm	
	Viewing Angle	178° / 178°	
	Contrast Ratio (Typ.)	1000 : 1	
	Native Luminance (Typ.)	350 cd/m <sup>2</sup>	900 cd/m <sup>2</sup>
	Color Depth	8-bit 16.7M Colors	10-bit 1.07B Colors
	Display Mode	AH-IPS	AHVA
	Response Time	14ms (G to G)	14ms (Tr + Tf)
	Touchscreen	Optional 10-point PCAP	
Input	DP 1.2 Input	DP Jack x 1	DisplayPort 1.2, 1920 x 1200 @ 60 Hz max.
	HDMI 2.0 Input	HDMI Jack x 1 (Type A)	Digital RGB: TMDS, 1920 x 1200 @ 60 Hz max.
	DVI Input	DVI Jack x 2 (Type D)	Digital RGB: TMDS, 1920 x 1200 @ 60 Hz max.
	SDI1 Input	BNC Jack x 1	Serial Input Common Mode: 2.2 Vp-p (75 Ω); 1920 x 1080 @ 60 Hz max.
	S-Video Input	Mini DIN Jack x 1 (4-pin)	Y: 1 Vp-p (75 Ω), C: 0.286 Vp-p (75 Ω) [NTSC] Y: 1 Vp-p (75 Ω), C: 0.300 Vp-p (75 Ω) [PAL / SECAM]
	Video Input	BNC Jack x 1	1 Vp-p (75 Ω) [NTSC / PAL / SECAM]
	USB Up	USB-B Jack x 1	For Optional Touchscreen
	RS-232C	Mini DIN Jack x 1 (8-pin)	Service Port
	DC Power Input	DC Jack x 1	DC 24 V, 4.16 A
Optional Input	RGB Input	D-sub x 1	PAX-324-C2B-NAS, PAX-324-C2B-HAS, and PAX-324-C2B-HAR, PAX-324-C2B-NAR
	Audio Input	Audio Jack x 1	
	AVAS NDcoder	SFP+ Module x 1 LAN RJ-45 Jack x 1	PAX-324-C2F-HAS, PAX-324-C2F-NAS
	SDI2 Input	BNC Jack x 1	By Request Only
Output	DVI Output	DVI Jack x 2 (Type D)	Digital RGB: TMDS, 1920 x 1200 @ 60 Hz max.
	SDI1 Output	BNC Jack x 1	Serial Input Common Mode: 2.2 Vp-p (75 Ω); 1920 x 1080 @ 60 Hz max.
	S-Video Output	Mini DIN Jack x 1 (4-pin)	Y: 1 Vp-p (75 Ω), C: 0.286 Vp-p (75 Ω) [NTSC] Y: 1 Vp-p (75 Ω), C: 0.300 Vp-p (75 Ω) [PAL / SECAM]
	Video Output	BNC Jack x 1	1 Vp-p (75 Ω) [NTSC / PAL / SECAM]
Optional Output	DC Power Output	DC Jack x 1	DC 5 V or DC 12 V
	Audio Output	Audio Jack x 1	PAX-324-C2B-NAS, PAX-324-C2B-HAS, and PAX-324-C2B-HAR, PAX-324-C2B-NAR
	SDI2 Output	BNC Jack x 1	By Request Only
Environment	Temperature	Operational	0 ~ 40 °C
		Storage	-20 ~ 60 °C
	Humidity	Operational	Ta = 40 °C, 90% RH non-condensed
		Storage	5 ~ 90%
	Pressure	Operational	500 hPa to 1013 hPa
		Storage	500 hPa to 1013 hPa
Power	Rating	DC 24 V, 4.16 A max.	
	Consumption (Typ.)	67.2 W max.	
Physical Characteristics	IP Ratings	Front IP65 / Top IPX1	
	VESA Mount	100 x 100; 75 x 75 mm	
	Dimension (W x D x H)	578.13 x 68 x 402.78 mm	
	Weight	7.85Kg max	
Certifications	CE MDR (EN60601-1; EN60601-1-2), RoHS II		
Warranty	3 Years		
Accessories	Power Adapter		

**Dimensions**

Unit: mm



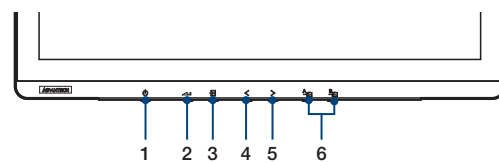
**Ordering Information**

Part Number	Brightness	Optional	Touchscreen	Weight
PAX-324-C2F-NAS	350 cd/m <sup>2</sup>	AVAS	-	7.55 kg
PAX-324-C2B-NAS	350 cd/m <sup>2</sup>	RGB/Audio	-	7.20 kg
PAX-324-C2B-NAR	350 cd/m <sup>2</sup>	RGB/Audio	PCAP	7.20 kg
PAX-324-C2B-HAS	900 cd/m <sup>2</sup>	RGB/Audio	-	7.50 kg
PAX-324-C2B-HAR	900 cd/m <sup>2</sup>	RGB/Audio	PCAP	7.50 kg
PAX-324-C2F-HAS	900 cd/m <sup>2</sup>	AVAS	-	7.85 kg

**Optional Items**

Part Number	Description
1702002605	Power Cord (Europe) 1.8M
1702002600	Power Cord (USA) 1.8M
1700018704	Power Cord (UK) 1.8M
XKT-HPU101-P09B139	Power Adapter AC/DC 100-240V 100W 24V DIN 4PIN MEDICAL

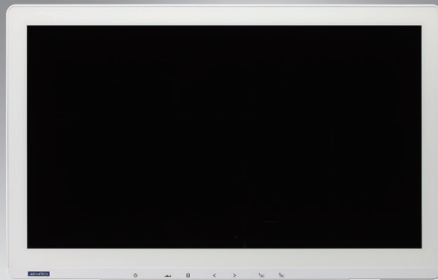
**Front Function Keys**



- 1. POWER button/indicator
- 2. ENTER/MENU button
- 3. EXIT/INPUT button
- 4. LEFT button
- 5. RIGHT button
- 6. PiP INPUT select buttons
  - A. Main input
  - B. Sub input

# PAX-327

## 27" FHD Surgical Monitor



### Features

- True Flat Design with AR Filter
- High Brightness and High Contrast Ratio
- FHD Resolution (1920 x 1080)
- HDMI 2.0, DP 1.2, DVI, RGB Support Up to (1920 x 1080) @ 60 Hz
- SDI Support Up to 1920 x 1080 @ 60Hz
- Multi-Standard Video System Supported: NTSC, PAL, SECAM
- Video Enhancement features including:
  - 14-bit LUT processing
  - DICOM Part 14 GSDF Compliant
  - DICOM, Clear, Blue modes support
- Optional upgrade to IP-based monitor with AVAS

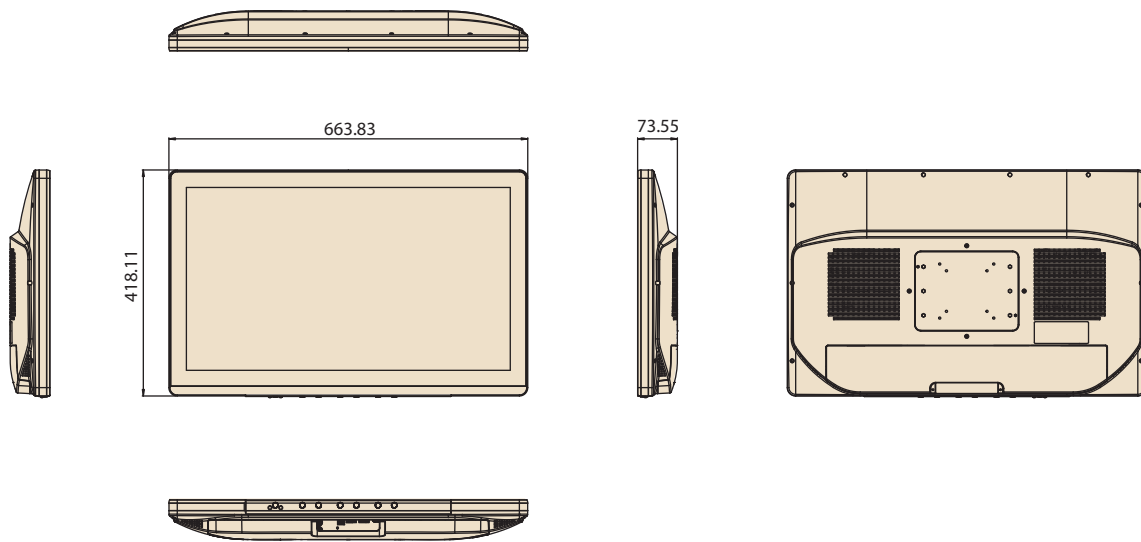


### Specifications

		PAX-327-C2B-HAS PAX-327-C2B-HAR PAX-327-C2F-HAS PAX-327-C2B-HAS-WL	PAX-327-C2B-LAS PAX-327-C2B-LAR PAX-327-C2C-LAS PAX-327-C2K-LAS PAX-327-C2F-LAS	
LCD	Screen Size	27" (579.88 x 336.31 mm)		
	Resolution	1920 x 1080		
	Aspect Ratio	16:9		
	Pixel Pitch	0.3114 x 0.3114 mm		
	Viewing Angle	178° / 178°		
	Contrast Ratio (Typ.)	1000 : 1		
	Native Luminance (Typ.)	900 nits (cd/m <sup>2</sup> )	300 cd/m <sup>2</sup>	
	Color Depth	10-bit 1.07B Colors	8-bit 16.7M Colors	
	Display Mode	AHVA	AHVA / ADS	
	Response Time	14ms (Tr + Tf)	14ms (Gray to Gray)	
Touchscreen	Optional 10-point PCAP			
Input	DP 1.2 Input	DP Jack x 1	DisplayPort 1.2, 1920 x 1080 @ 60Hz max.	
	HDMI 2.0 Input	HDMI Jack x 1 (Type A)	Digital RGB: TMDS, 1920 x 1080 @ 60Hz max.	
	DVI Input	DVI Jack x 2 (Type D)	Digital RGB: TMDS, 1920 x 1080 @ 60Hz max.	
	SDI1 Input	BNC Jack x 1	Serial Input Common Mode: 2.2 Vp-p (75 Ω); 1920 x 1080 @ 60 Hz max.	
	S-Video Input	Mini DIN Jack x 1 (4-pin)	Y: 1 Vp-p (75 Ω), C: 0.286 Vp-p (75 Ω) [NTSC] Y: 1 Vp-p (75 Ω), C: 0.300 Vp-p (75 Ω) [PAL / SECAM]	
	Video Input	BNC Jack x 1	1 Vp-p (75 Ω) [NTSC / PAL / SECAM]	
	USB Up	USB-B Jack x 1	For Optional Touchscreen	
	RS-232C	Mini DIN Jack x 1 (8-pin)	Service Port	
DC Power Input	DC Jack x 1	DC 24 V, 4.16 A		
Optional Input	RGB Input	D-sub x 1	PAX-327-C2B-HAS, PAX-327-C2B-HAR, PAX-327-C2B-LAR, PAX-327-C2B-LAS, PAX-327-C2B-HAS-WL, PAX-327-C2C-LAS	
	Audio Input	Audio Jack x 1	LAS	
	AVAS NDCoder	SFP+ Module x 1 LAN RJ-45 Jack x 1	PAX-327-C2F-HAS, PAX-327-C2F-LAS	
	SDI2 Input	BNC Jack x 1	PAX-327-C2C-LAS, PAX-327-C2K-LAS	
	Wireless HDMI	Built in Wireless HDMI Receiver	PAX-327-C2B-HAS-WL	
Output	DVI Output	DVI Jack x 2 (Type D)	Digital RGB: TMDS, 1920 x 1080 @ 60 Hz max	
	SDI1 Output	BNC Jack x 1	Serial Input Common Mode: 2.2 Vp-p (75 Ω); 1920 x 1080 @ 60 Hz max.	
	S-Video Output	Mini DIN Jack x 1 (4-pin)	Y: 1 Vp-p (75 Ω), C: 0.286 Vp-p (75 Ω) [NTSC] Y: 1 Vp-p (75 Ω), C: 0.300 Vp-p (75 Ω) [PAL / SECAM]	
	Video Output	BNC Jack x 1	1 Vp-p (75 Ω) [NTSC / PAL / SECAM]	
	DC Power Output	DC Jack x 1	DC 5 V or DC 12 V	
Optional Output	Audio Output	Audio Jack x 1	PAX-327-C2B-HAS, PAX-327-C2B-HAR, PAX-327-C2B-LAR, PAX-327-C2B-LAS, PAX-327-C2B-HAS-WL, PAX-327-C2C-LAS	
	SDI2 Output	BNC Jack x 1	PAX-327-C2C-LAS, PAX-327-C2K-LAS	
Environment	Temperature	Operational	0 ~ 40 °C	
		Storage	-20 ~ 60 °C	
	Humidity	Operational	Ta = 40 °C, 90% RH non-condensed	
		Storage	5 ~ 90%	
Pressure	Operational	500 hPa to 1013 hPa		
	Storage	500 hPa to 1013 hPa		
Power	Rating	DC 24 V, 4.16 A max.		
	Consumption (Typ.)	77.3W max.		
Physical Characteristics	IP Ratings	Front IP65 / Top IPX1		
	VESA Mount	100 x 100; 75 x 75 mm		
	Dimension (W x D x H)	663.83 x 73.55 x 418.11 mm		
	Weight	9.6kg max		
Certifications	CE MDR (EN60601-1; EN60601-1-2), RoHS II			
Warranty	3 Years			
Accessories	Power Adapter			

**Dimensions**

Unit: mm



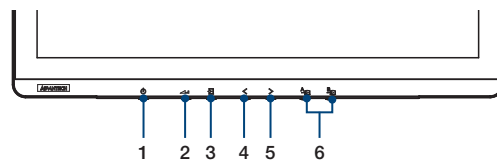
**Ordering Information**

Part Number	Brightness	Optional	Touchscreen	Weight
PAX-327-C2B-HAS	900 nits (cd/m <sup>2</sup> )	RGB/Audio	-	8.9 kg
PAX-327-C2B-HAR	900 nits (cd/m <sup>2</sup> )	RGB/Audio	PCAP	8.9 kg
PAX-327-C2F-HAS	900 nits (cd/m <sup>2</sup> )	AVAS	-	9.2 kg
PAX-327-C2B-LAS	300 cd/m <sup>2</sup>	RGB/Audio	-	8.9 kg / 9.3 kg
PAX-327-C2B-LAR	300 cd/m <sup>2</sup>	RGB/Audio	PCAP	8.9 kg / 9.3 kg
PAX-327-C2B-HAS-WL	900 nits (cd/m <sup>2</sup> )	RGB/Audio/Wireless HDMI	-	9.4 kg
PAX-327-C2C-LAS	300 cd/m <sup>2</sup>	RGB/Audio/SDI2	-	9.0 kg / 9.4 kg
PAX-327-C2K-LAS	300 cd/m <sup>2</sup>	SDI2	-	9.0 kg / 9.4 kg
PAX-327-C2F-LAS	300 cd/m <sup>2</sup>	AVAS	-	9.2 kg / 9.6 kg

**Optional Items**

Part Number	Description
1702002605	Power Cord (Europe) 1.8M
1702002600	Power Cord (USA) 1.8M
1700018704	Power Cord (UK) 1.8M
XKT-HPU101-P09B139	Power Adapter AC/DC 100-240V 100W 24V DIN 4PIN MEDICAL

**Front Function Keys**



- 1. POWER button/indicator
- 2. ENTER/MENU button
- 3. EXIT/INPUT button
- 4. LEFT button
- 5. RIGHT button
- 6. PiP INPUT select buttons
  - A. Main input
  - B. Sub input



# PAX-332 4K

## 32" 4K Surgical Monitor



### Features

- True Flat Design with AR Filter
- High Brightness and High Contrast Ratio
- 4K UHD Resolution (3840 x 2160)
- HDMI 2.0, DP 1.2 Support Up to 3840 x 2160 @ 60 Hz
- SDI Support Up to 3840 x 2160 @ 60 Hz (4K SDI 3G x 4)
- DVI Support Up to 3840 x 2160 @ 30 Hz
- Video Enhancement features including:
  - 14-bit LUT processing
  - DICOM Part 14 GSDF Compliant
  - DICOM, Clear, Blue modes support
- Optional upgrade to IP-based monitor with AVAS

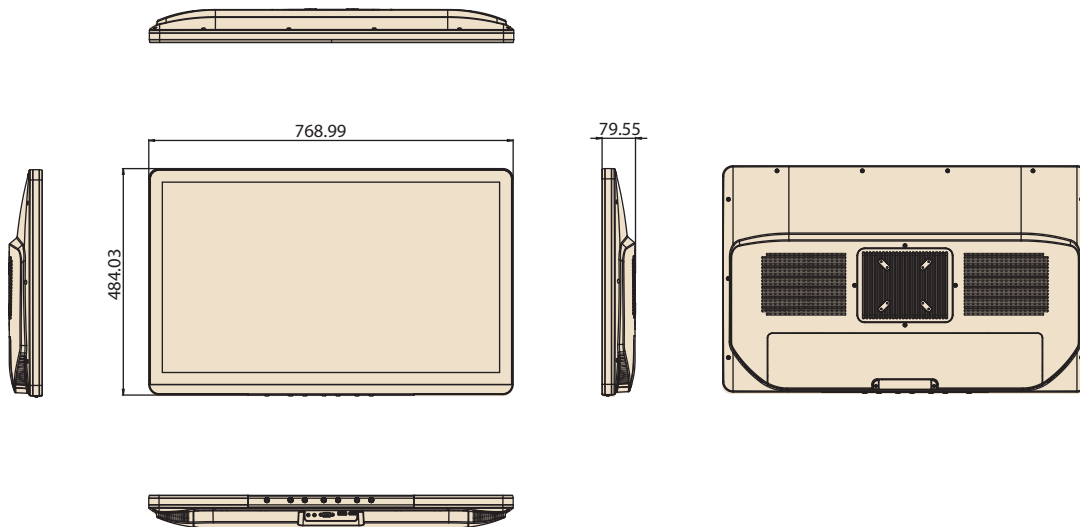


### Specifications

		PAX-332-C8A-HAS PAX-332-C8A-HAR PAX-332-C8E-HAS PAX-332-C8E-HAR PAX-332-C8E-HAZ PAX-332-C8D-HAS PAX-332-C8D-HAR PAX-332-C8F-HAS PAX-332-C8J-HAS	PAX-332-C8A-NAS PAX-332-C8A-NAR PAX-332-C8E-NAS PAX-332-C8E-NAR PAX-332-C8D-NAS PAX-332-C8D-NAR PAX-332-C8F-NAS PAX-332-C8L-NAS PAX-332-C8L-NAR
LCD	Screen Size	32" (708.48 x 398.52 mm)	32" (708.48 x 398.52 mm) / 31.5" (697.3056 x 392.2344 mm)
	Resolution	3840 x 2160	
	Aspect Ratio	16 : 9	
	Pixel Pitch	0.1845 x 0.1845 mm	0.1845 x 0.1845 mm / 0.18159 x 0.18159 mm
	Viewing Angle	178° / 178°	
	Contrast Ratio (Typ.)	1,350 : 1 / 1,500 : 1	1,000 : 1
	Native Luminance (Typ.)	700 cd/m <sup>2</sup> / 850 cd/m <sup>2</sup>	350 cd/m <sup>2</sup>
	Color Depth	10-bit 1.07B Colors	
	Display Mode	AHVA	MVA / ADS
	Response Time	18ms (Tr+Tf)	12ms (G to G) / 14ms (G to G)
Input	HDMI 2.0 Input	HDMI Jack x 1 (Type A)	Digital RGB: TMDS, 3840 x 2160 @ 60 Hz max.
	DVI Input	DVI Jack x 1 (Type D)	Digital RGB: TMDS, 3840 x 2160 @ 30 Hz max.
	USB Up	USB-B Jack x 1	For Optional Touchscreen
	RS-232C	D-Sub Jack x 1	Service Port
	DP 1.2 Input	DP Jack x 1	DisplayPort 1.2, 3840 x 2160 @ 60 Hz max.
Optional Input	AVAS NDcoder	SFP+ Module x 1 LAN RJ-45 Jack x 1	PAX-332-C8F-HAS, PAX-332-C8J-HAS, PAX-332-C8F-NAS
	SDI Quad 3G Input	BNC Jack x 4	PAX-332-C8D-HAS, PAX-332-C8D-HAR, PAX-332-C8F-HAS, PAX-332-C8D-NAS, PAX-332-C8D-NAR, PAX-332-C8F-NAS, PAX-332-C8L-NAS, PAX-332-C8L-NAR
	SDI 12G Input	BNC Jack x 1	PAX-332-C8E-HAS, PAX-332-C8E-HAR, PAX-332-C8E-HAZ, PAX-332-C8E-NAS, PAX-332-C8E-NAR, PAX-332-C8L-NAS, PAX-332-C8L-NAR
Output	HDMI 2.0 Output	HDMI Jack x 1 (Type A)	Digital RGB: TMDS, 3840 x 2160 @ 60 Hz max.
	DVI Output	DVI Jack x 1 (Type D)	Digital RGB: TMDS, 3840 x 2160 @ 30 Hz max.
	DC Power Output	DC Jack x 1	DC 5 V or DC 12 V
Optional Output	DP 1.2 Output	DP Jack x 1	DisplayPort 1.2 MST or Clone -
	SDI Quad 3G Output	BNC Jack x 4	PAX-332-C8D-HAS, PAX-332-C8D-HAR, PAX-332-C8F-HAS, PAX-332-C8D-NAS, PAX-332-C8D-NAR, PAX-332-C8F-NAS, PAX-332-C8L-NAS, PAX-332-C8L-NAR
	SDI 12G Output	BNC Jack x 1	PAX-332-C8E-HAS, PAX-332-C8E-HAR, PAX-332-C8E-HAZ, PAX-332-C8E-NAS, PAX-332-C8E-NAR, PAX-332-C8L-NAS, PAX-332-C8L-NAR
Environment	Temperature	Operational	0 ~ 40 °C
		Storage	-20 ~ 60 °C
	Humidity	Operational	Ta = 40 °C, 90% RH non-condensed
		Storage	5 ~ 90%
Pressure	Operational	500 hPa to 1013 hPa	
	Storage	500 hPa to 1013 hPa	
Power	Rating	DC 24V 10.41A Max.	
	Consumption (Typ.)	168.5W (max.)	
Physical Characteristics	IP Ratings	Front IP65 / Top IPX1	
	VESA Mount	100 x 100; 75 x 75 mm	
	Dimension (W x D x H)	768.99 x 79.55 x 484.03 mm	
	Weight	13.79 kg max.	
Certifications	CE MDR (EN60601-1; EN60601-1-2), RoHS II		
Warranty	3 Years		

## Dimensions

Unit: mm



## Ordering Information

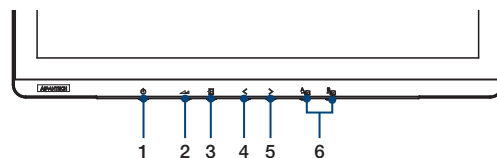
Part Number	Brightness	Optional	Touchscreen	Weight	Power Consumption (Typ.)
PAX-332-C8A-HAS	700cd/m <sup>2</sup> / 850 cd/m <sup>2</sup>	-	-	12.42 kg	136.8W / 117.1W
PAX-332-C8D-HAS	700cd/m <sup>2</sup> / 850 cd/m <sup>2</sup>	4K 3G x 4	-	12.88 kg	144.5W / 124.8W
PAX-332-C8F-HAS	700cd/m <sup>2</sup> / 850 cd/m <sup>2</sup>	4K 3G x 4, AVAS	-	13.26 kg	168.5W / 148.8W
PAX-332-C8J-HAS	700cd/m <sup>2</sup> / 850 cd/m <sup>2</sup>	AVAS	-	12.80 kg	160.8W / 141.1W
PAX-332-C8A-HAR	700cd/m <sup>2</sup> / 850 cd/m <sup>2</sup>	-	PCAP	12.42kg	136.8W / 117.1W
PAX-332-C8E-HAS	700cd/m <sup>2</sup> / 850 cd/m <sup>2</sup>	12G x 1	-	12.62kg	147.4W / 127.7W
PAX-332-C8E-HAR	700cd/m <sup>2</sup> / 850 cd/m <sup>2</sup>	12G x 1	PCAP	12.62kg	147.4W / 127.7W
PAX-332-C8E-HAZ	700cd/m <sup>2</sup> / 850 cd/m <sup>2</sup>	12G x 1	-	12.62kg	147.4W / 127.7W
PAX-332-C8D-HAR	700cd/m <sup>2</sup> / 850 cd/m <sup>2</sup>	4K 3G x 4	PCAP	12.88kg	144.5W / 124.8W
PAX-332-C8A-NAS	350 cd/m <sup>2</sup>	-	-	12.95kg / 12.34kg	63.2W / 53.32W
PAX-332-C8A-NAR	350 cd/m <sup>2</sup>	-	PCAP	12.95kg / 12.34kg	63.2W / 53.32W
PAX-332-C8E-NAS	350 cd/m <sup>2</sup>	12G x 1	-	13.15kg / 12.54kg	73.6W / 63.72W
PAX-332-C8E-NAR	350 cd/m <sup>2</sup>	12G x 1	PCAP	13.15kg / 12.54kg	73.6W / 63.72W
PAX-332-C8D-NAS	350 cd/m <sup>2</sup>	4K 3G x 4	-	13.41kg / 12.80kg	70.8W / 60.92W
PAX-332-C8D-NAR	350 cd/m <sup>2</sup>	4K 3G x 4	PCAP	13.41kg / 12.80kg	70.8W / 60.92W
PAX-332-C8F-NAS	350 cd/m <sup>2</sup>	4K 3G x 4 / AVAS	-	13.79kg / 13.18kg	94.8W / 84.92W
PAX-332-C8L-NAS	350 cd/m <sup>2</sup>	4K 3G x 4 / 12G x 1	-	13.51kg / 12.9kg	81.6W / 71.72W
PAX-332-C8L-NAR	350 cd/m <sup>2</sup>	4K 3G x 4 / 12G x 1	PCAP	13.51kg / 12.9kg	81.6W / 71.72W

## Optional Items

### Power Cord

Part Number	Description
1702002605	Power Cord (Europe) 1.8 M
1702002600	Power Cord (USA) 1.8 M
1700018704	Power Cord (UK) 1.8 M
XPAX-MPU250A-108	ADP A/D 100-240V 250W 24V HOUSING

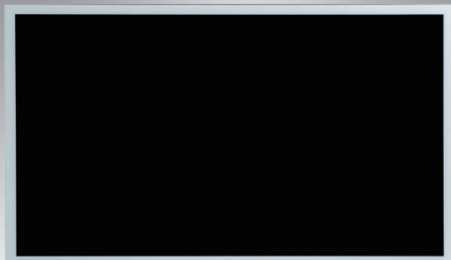
## Front Function Keys



- |                           |                             |
|---------------------------|-----------------------------|
| 1. POWER button/indicator | 5. RIGHT button             |
| 2. ENTER/MENU button      | 6. PiP INPUT select buttons |
| 3. EXIT/INPUT button      | A. Main input               |
| 4. LEFT button            | B. Sub input                |

# PAX-355

## 55" UHD Surgical Display



### Features

- High Brightness and High Contrast Ratio
- UHD Resolution (3840 x 2160)
- HDMI1.4, Support Up to 3840 x 2160 @ 30 Hz
- HDMI2.0, Support Up to 3840 x 2160 @ 60 Hz
- Display Port 1.2, Support Up to 4K x 2K, 3840 x 2160 @ 60 Hz
- Multi-Picture display: Normal , PiP, PBP, 4P
- 14 Bit LUT (Look Up Table) processing
- DICOM Standard GSDF included (DICOM Part 14 Compliant)
- DICOM Clear , Blue Mode support
- Variable Gamma and DICOM (Color Temp) mode
- Built in Touch Screen (Option)
- True Flat Design



### Specifications

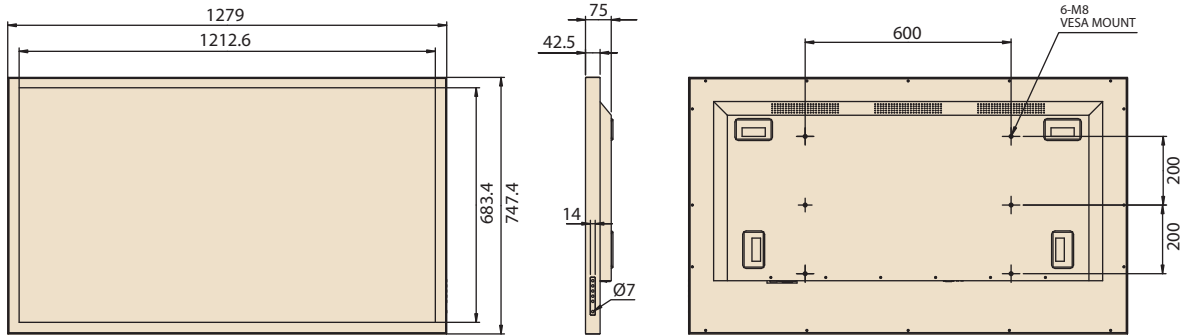
Item	PAX-355-C8B-NAS PAX-355-C8B-NAR		PAX-355-C8E-NAS, PAX-355-C8E-NAR, PAX-355-C8A-NBS, PAX-355-C8A-NBR, PAX-355-C8E-NBS, PAX-355-C8E-NBR, PAX-355-C8D-NAS, PAX-355-C8D-NAR	
Display	Screen Size(Active Area)	54.64 (1209.6(H) x 680.4(V) [mm])		
	Aspect ratio	16 : 9		
	Number of Pixels	3840(H) x 2160(V)		
	Pixel Pitch	0.315(H) mm x 0.315(V) [mm]		
	Displayable Colors	1.07 Billion (10-bit)		
	Brightness (Typical)	500 cd/m <sup>2</sup>		
	Contrast Ratio (Typical)	1,100:1		
	Pannel Type	IPS		
	Response Time (Typical)	8ms (Gray to Gray)		
	Viewing Angle(H/V)	178/178		
Touch Screen (Option)	Optional 10-point PCAP			
In / Out Terminals	DC Power Output	DC Jack x 1	-	DC5V or DC12V
	RS-232C	D-Sub Jack x 1	-	Service Port
	DVI Input	DVI Jack x 1 (Type D)	-	Digital RGB : TMDS MAX : 3840 x 2160@30Hz
	DVI Output	DVI Jack x 1 (Type D)	-	Digital RGB : TMDS MAX : 3840 x 2160@30Hz
	HDMI 2.0 Input	HDMI Jack x 1 (Type A)	-	Digital RGB : TMDS MAX : 3840 x 2160@60Hz
	HDMI 2.0 Output	HDMI Jack x 1 (Type A)	-	Digital RGB: TMDS MAX: 3840 x 2160@60Hz
	HDMI 1.4 Input	HDMI Jack x 4 (Type A)	Digital RGB: TMDS MAX: 3840 x 2160@30Hz	-
	DP 1.2 Input	DP Jack x 1	-	DisplayPort 1.2 MAX: 3840 x 2160@60Hz
	DP 1.2 Output	DP Jack x 1	-	DP(1.2) MST or Daisy chain x1
	RGB Input	D-Sub Jack x 1	Analog RGB: 0.7[p-p] (75Ω), MAX : 1920 x 1080 / 60 Hz	-
	Audio Input	Ear Jack x 1	Audio Input Stereo L/R	-
	Headphone Output	Ear Jack x 1	Audio Output Stereo L/R	-
	USB Up	USB-B Jack x 1	USB 3.0	USB 2.0 (For Touch Screen)
	USB Down	USB-A Jack x 2	USB 3.0	-
Optional In / Out	SDI 12G In / Out	BNC Jack x 1	PAX-355-C8E-NBS, PAX-355-C8E-NBR, PAX-355-C8E-NAS, PAX-355-C8E-NAR	
	SDI Quad 3G In / Out	BNC Jack x 4	PAX-355-C8D-NAS, PAX-355-C8D-NAR	
Power	Power Supply	AC 100-240V, 50-60Hz, 6-3A		
	Power Consumption (Typical)	158.0 W max		
Physical Characteristics	Dimensions (Without Stand) [W mm x H mm x D mm]	1279.0 x 747.4 x 75.0 [mm]		PAX-355-C8*-NB*: 1279.0 x 747.4 x 102.5 [mm]
	Weight (Without Stand)	55.8 Kg max		
	VESA Mount	600mm * 400mm		
Environment Condition	Temperature	Operational	0 ~ 40 °C	
		Storage	-20 ~ 60 °C	
	Humidity	Operational	Ta = 40 °C, 90% RH non-condensed	
		Storage	5 ~ 90%	
Pressure	Operational	500 hPa to 1013 hPa		
	Storage	500 hPa to 1013 hPa		
Certifications	CE MDR (EN60601-1; EN60601-1-2), FCC, RoHS II			

\* The specifications are subject to change without notice

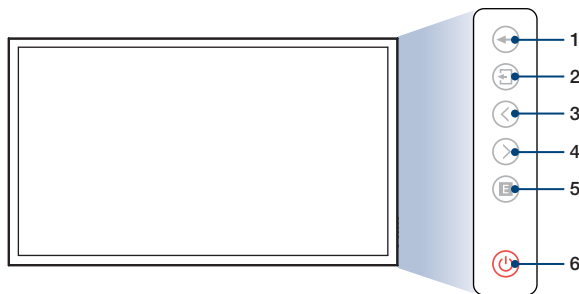
\* PAX-355 also provides open frame solution. Please contact sales for detailed information,

## Dimensions

Unit: mm



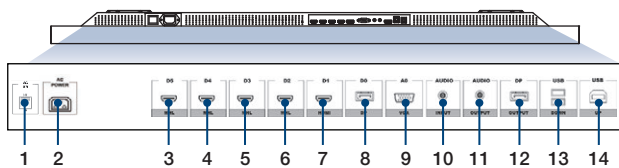
## Rear / Function Keys



- |                    |                             |
|--------------------|-----------------------------|
| 1. MENU /Enter Key | 4. RIGHT Key                |
| 2. EXIT/INPUT Key  | 5. EXPERT Key (no function) |
| 3. LEFT Key        | 6. POWER Button             |

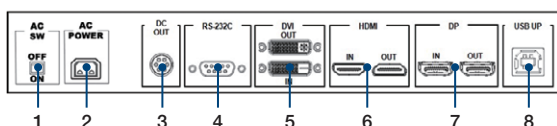
## I/O Ports

(PAX-355-C8B-NAR, PAX-355-C8B-NAS)

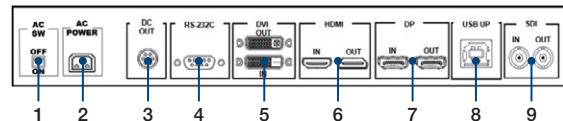


No.	I/O ports
1	AC Switch : Main Power On/Off
2	AC Power Input : AC Power Cord
3-6	HDMI 1.4 Input
7	HDMI 2.0 Input
8	DP 1.2 Input
9	RGB Input
10	Audio Input
11	Audio Output
12	DP Output (Option)
13	USB 3.0 Downstream port x2
14	USB 3.0 Upstream port

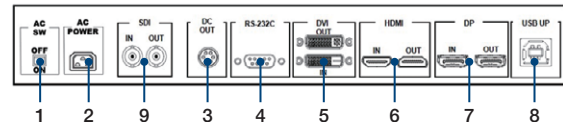
(PAX-355-C8A-NBS, PAX-355-C8A-NBR)



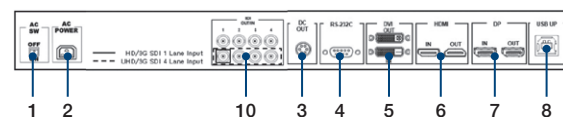
(PAX-355-C8E-NBS, PAX-355-C8E-NBR)



(PAX-355-C8E-NAR, PAX-355-C8E-NAS)



(PAX-355-C8D-NAS, PAX-355-C8D-NAR)



No.	I/O ports
1	AC Switch : Main Power On/Off
2	AC Power Input : AC Power Cord
3	DC Power Output : +5V/+12V Power Connector
4	RS-232C
5	DVI Input(Down)/DVI Output(Up)
6	HDMI Input(Left)/HDMI Output(Right)
7	DP Input(Left)/DP Output(Right)
8	USB UP
9	SDI Input(Left)/SDI Output(Right) (Option)
10	SDI Input(Down)/SDI Output(Up) (Option)

## Ordering Information

Part Number	Touch	Cover Glass
PAX-355-C8B-NAR	PCAP w/AR	-
PAX-355-C8B-NAS	-	Glass w/AR
PAX-355-C8E-NAR	PCAP w/AR	-
PAX-355-C8E-NAS	-	Glass w/AR
PAX-355-C8A-NBS	-	Glass w/AR
PAX-355-C8A-NBR	PCAP w/AR	-
PAX-355-C8E-NBS	-	Glass w/AR
PAX-355-C8E-NBR	PCAP w/AR	-
PAX-355-C8D-NAS	-	Glass w/AR
PAX-355-C8D-NAR	PCAP w/AR	-

## Accessories

Accessories	Specifications
Standard	Owner's instruction, Power Cord
Option	DP Cable, HDMI Cable, DVI Cable, SDI BNC Cable